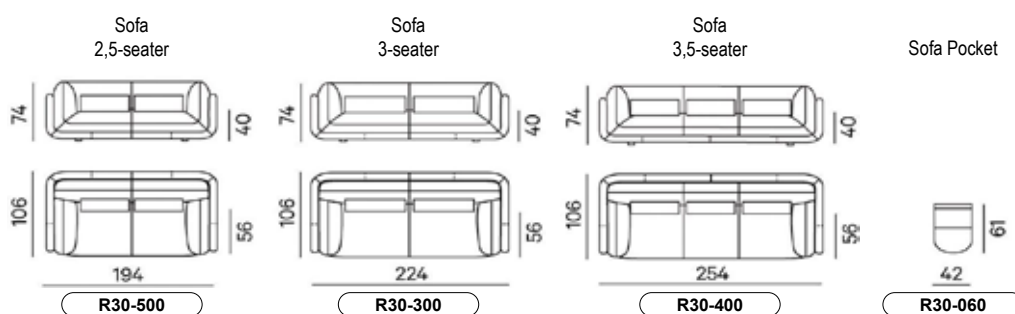




DIMENSIONS

All width dimensions are rounded up. All dimensions are approximate.



TECHNICAL DATA

Inner frame	Sheet material.
Springs seat	Pocker springs.
Filling	HR foam 50kg/m ³ , covering Leoskin. HR foam 30kg/m ³ , covering Leoskin. Polyether foam 30kg/m ³ , covering Leoskin.
Filling back and arm cushion(s)	Leofill, 70% little foam plates and 30% Fibreballs.
Filling lumbar cushion	Leofill, 100% fibreballs.
Legs	Polished aluminium.
Gliders	Black synthetic.
Decorative stitching	Finished with piping and double-stitch.
Upholstery Sofa Pocket	Only available in leather.
Decorative stitching Sofa Pocket	Point Stitch.
Customize option	Seat height + 1,5 cm.
Special features	A tool for lifting this sofa is supplied on delivery. This sofa will be supplied disassembled and needs to be assembled at place.
Design	Studiopepepe 2023.
Comfort options	