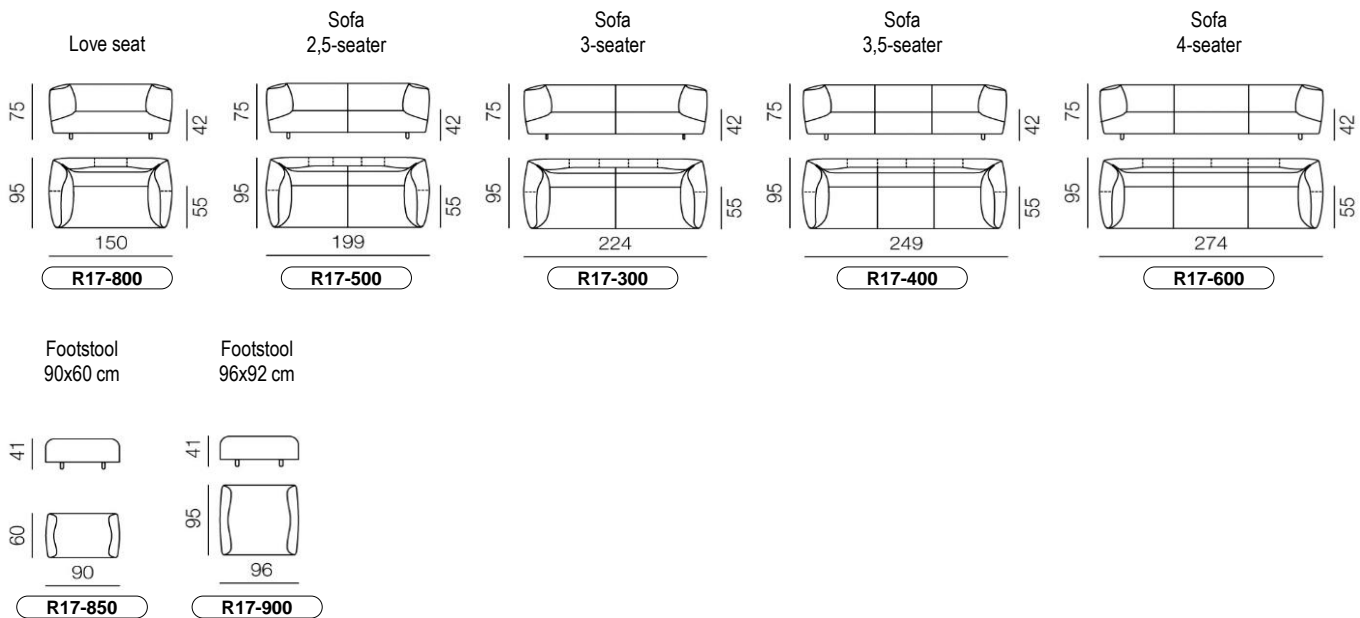




DIMENSIONS

All width dimensions are rounded up. All dimensions are approximate.



TECHNICAL DATA

Inner frame	Solid beech and sheet material.
Footstool inner frame	
Springs seat	Hard steel zig zag springs.
Springs footstool	None.
Filling	Polyether foam 16kg/m ³ , covering Leoskin. Polyether foam 30kg/m ³ . HR foam 30kg/m ³ , covering Leoskin. HR foam 40kg/m ³ , covering Leoskin.
Sledge	Polished aluminium.
Legs	Option: All selected Epoxy colours (powder coating). Polished aluminium.
Leg fixing plate	Option: All selected Epoxy colours (powder coating). Steel, black.
Gliders	Black synthetic.
Customize option	Seat height + 2 cm.
Piping	Piping follows the selected upholstery for the frame. Option: Other fabrics from Leolux fabric collections.
Decorative stitching	Double-stitched decorative stitching.
Stitching	The elements in leather and velours fabrics have a different seam layout.
Design	Roderick Vos, 2021.
Comfort options	