


**DIMENSIONS**

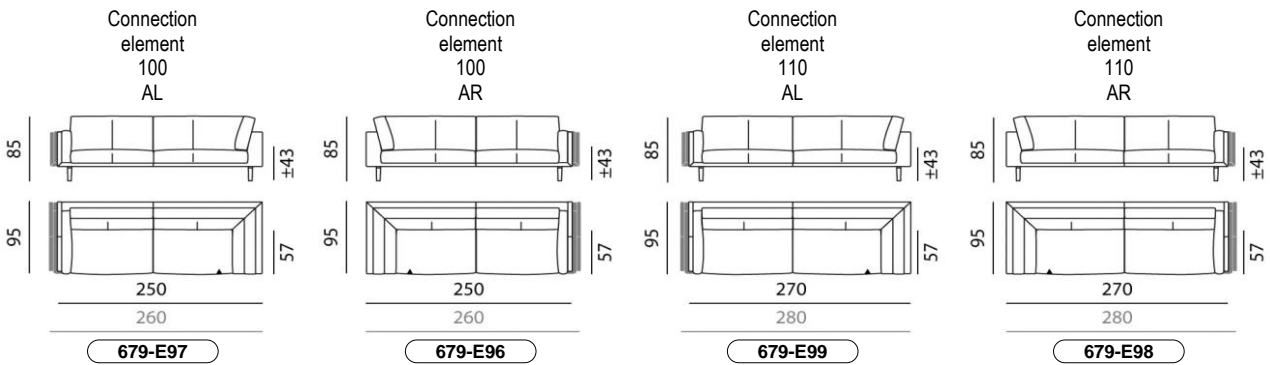
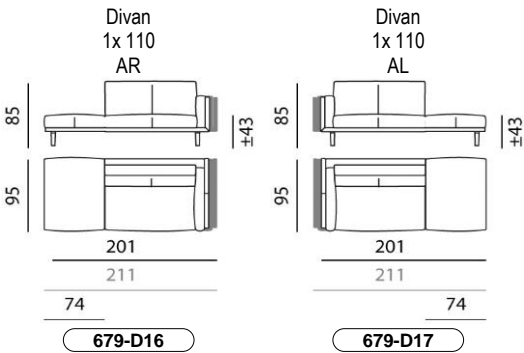
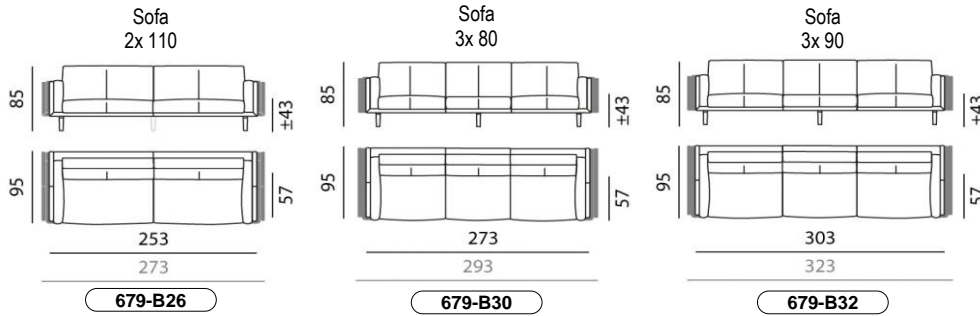
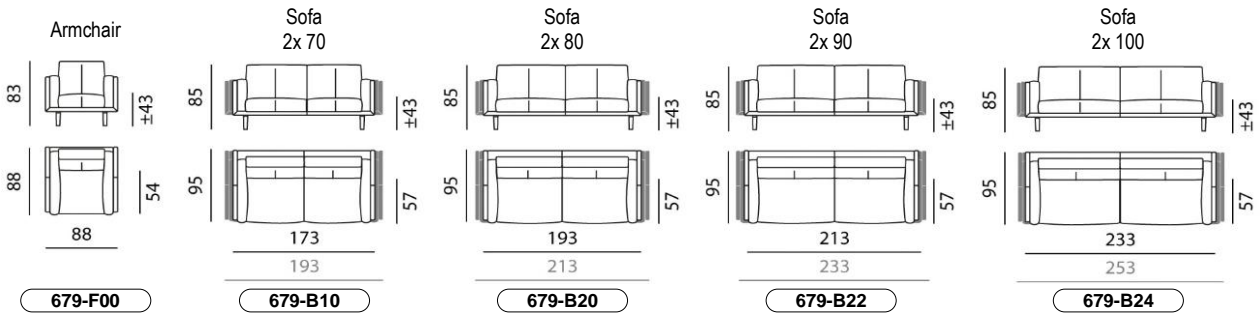
All width dimensions are rounded up. All dimensions are approximate.

TECHNICAL DATA

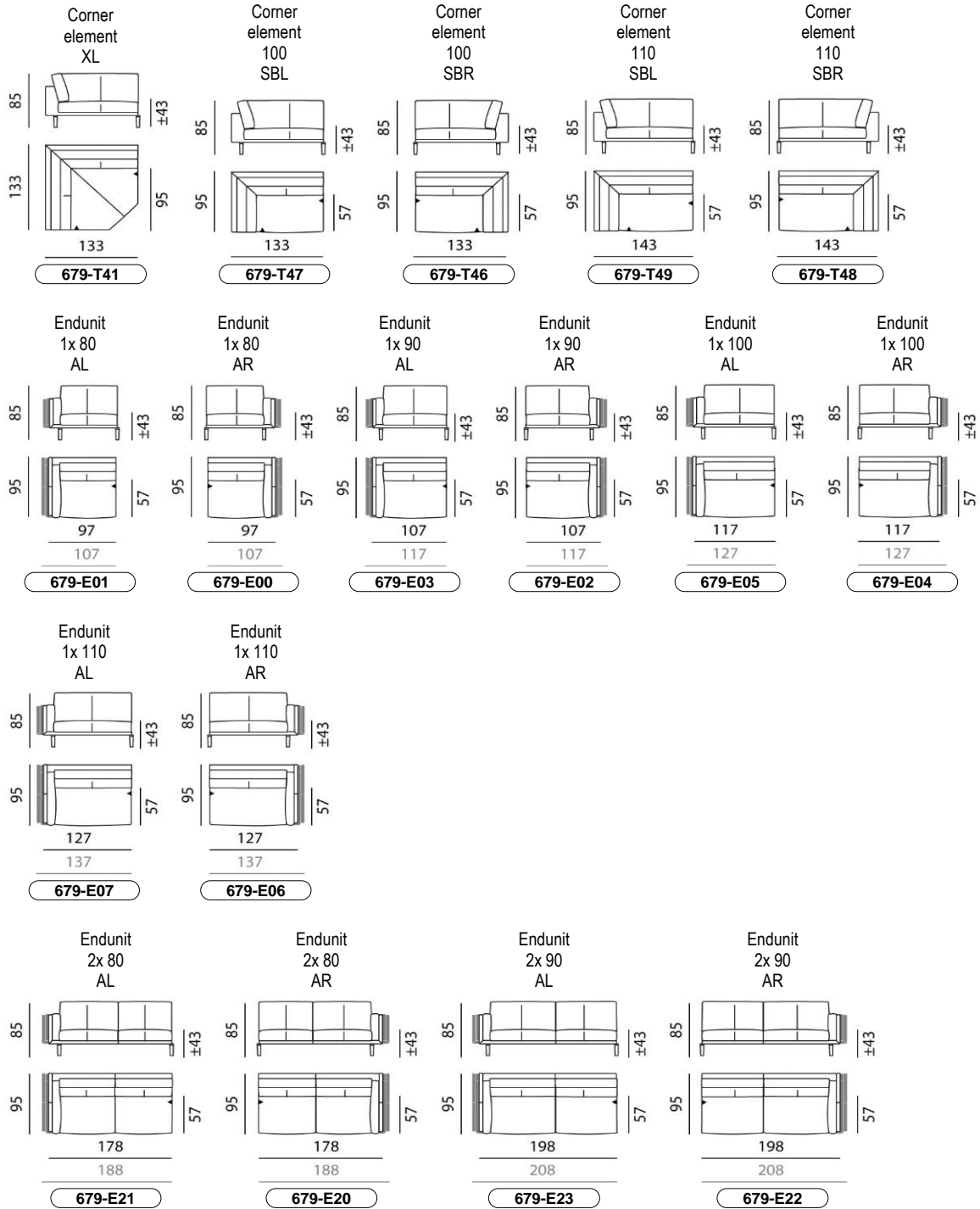
Inner frame	Solid beech and sheet material.
Springs seat	Hard steel zig zag springs.
Springs footstool	None.
Mechanism adjustable arm	Stepless adjustable friction hinge. (about 45°)
Mechanism headrest	Stepless adjustable friction hinge. (about 50°)
Arm	Folding arm 62 cm, Slim-high 62 cm, Slim-low 56 cm, Wide-high 62 cm or Wide-low 56 cm. The outside measurements of the furniture depends on the width of the chosen arm. The armchair has no option for the arm and so a standard width.
Comfort seat	Medium, option Semi-Firm or Firm.
Comfort back	Medium, option Semi-Firm or Firm.
Comfort armcushion	Medium, option Firm.
Comfort footstool	Medium, option Semi-Firm.
Filling	HR foam 50kg/m ³ , covering Leoskin. HR foam 40kg/m ³ , covering Leoskin. HR foam 35kg/m ³ , covering Leoskin. HR foam 30kg/m ³ , covering Leoskin. Polyether 16kg/m ³ , covering Leoskin.
Filling Medium cushion and arm cushion	Cushion (70% little foam plates and 30% Fibreballs) with core HR foam, covering Leoskin.
Others cushions	HR foam, covering Leofill.
Frame headrest	Polished stainless steel.
- Armcushion	Option: All selected Epoxy colours (powder coating).
Table (E56/57/58/59-T26/27)	
Table-top	
- Oak veneer	All selected oak stain colours.
Special features table elements	The LX679 table elements (insert table / end table) cannot be used as a corner element.
Legs/Sledge base	
Legs Fino	Polished aluminium. Option: All selected Epoxy colours (powder coating).
Legs Sobrio	Polished aluminium. Option: All selected Epoxy colours (powder coating).
Sledge base Anilo	Polished aluminium. Option: All selected Epoxy colours (powder coating).

TECHNICAL DATA

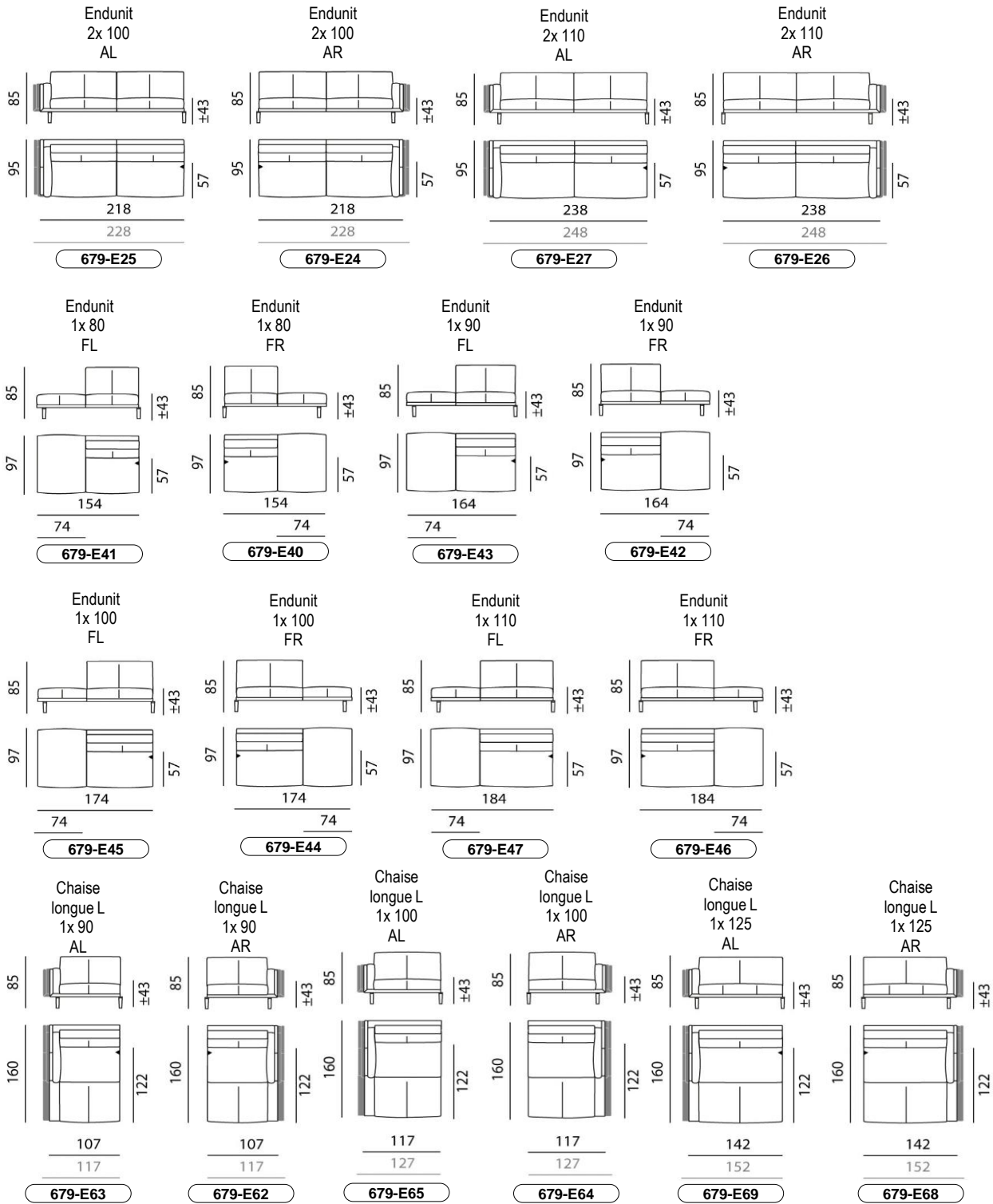
Special features Anillo	<p>The sled base Anillo is positioned on the outside.</p> <p>For the sled base Anillo: the connected side, corner elements and footstools (P01-P02-P03-P11) a shortened frame is applied.</p> <p>The Chaise Longue (679-E6x) and armchair (679-F00) are not available with sled base Anillo but can be selected with the matching foot Sobrio.</p>
Legs Onyx	<p>Black Nickel</p> <p>Option: All selected Epoxy colours (powder coating).</p>
Gliders	Black synthetic.
Legs Grazio	<p>Polished aluminium.</p> <p>Option: All selected Epoxy colours (powder coating).</p>
Decorative stitching	<p>Double-stitched decorative stitching and a flat seam.</p> <p>The double stitched decorative stitching stops at certain points and is hand-knotted.</p>
Upholstery	<p>For certain fabrics the direction of upholstering on the various elements of this program can have consequences for the overall picture.</p> <p>Not available in Stretch fabrics.</p>
Customize options	<p>Seat height +2cm via the legs.</p> <p>Seat depth via amended back cushions (not available for all items).</p>
Special features	<p>The elements are linked through a foot and can therefore not be used as freestanding elements.</p> <p>The larger versions (B30-3x80cm and B32-3x90cm) are supplied in 2 parts and need to be fitted on location.</p> <p>The sofa (679-B26) gets an extra blind support leg.</p> <p>The cushions are provided with a filling that shapes itself to fit the body. That promotes comfort and ergonomics for the user.</p> <p>For a better fit, the seat and back cushions are zipped together at the back.</p> <p>To increase lifetime of the filling, the seating cushion needs to be plumped up regularly.</p> <p>To simplify this is unzipping the back cushion of the seat cushion possible.</p>
Fold formation	<p>Because of the loose appearance, small folds are part of the characteristic.</p> <p>These folds are also dependent on the chosen comfort.</p> <p>Even with a Firm comfort, a certain degree of fold formation can occur.</p>
Maximum load	The adjustable arms look strong, but cannot be subjected to unlimited loading. Do not use as a seat.
Certifications	<p>All sheet materials used in this model comply with the CARB2 requirement or are NAF certified.</p> <p>All materials used in the furniture meet the legal requirements of the country of destination. Foam materials with flame-retardant characteristics can be supplied on Beck Design, 2017/2018.</p>
Design	
Comfort options	



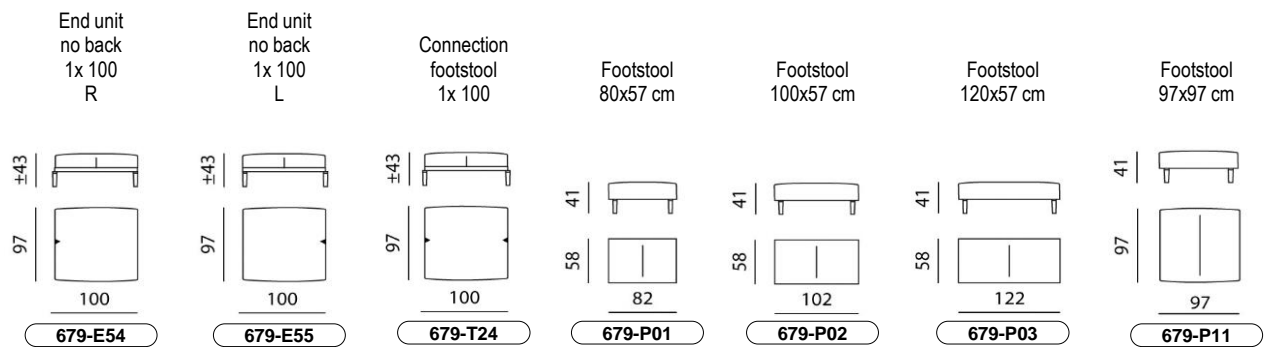
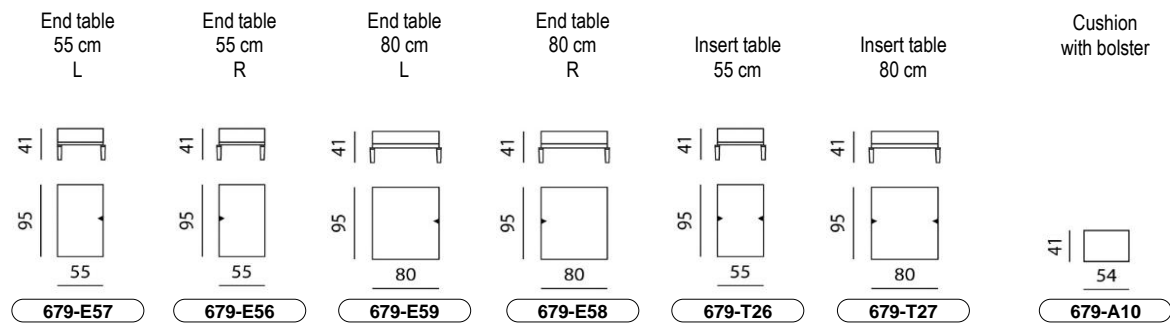
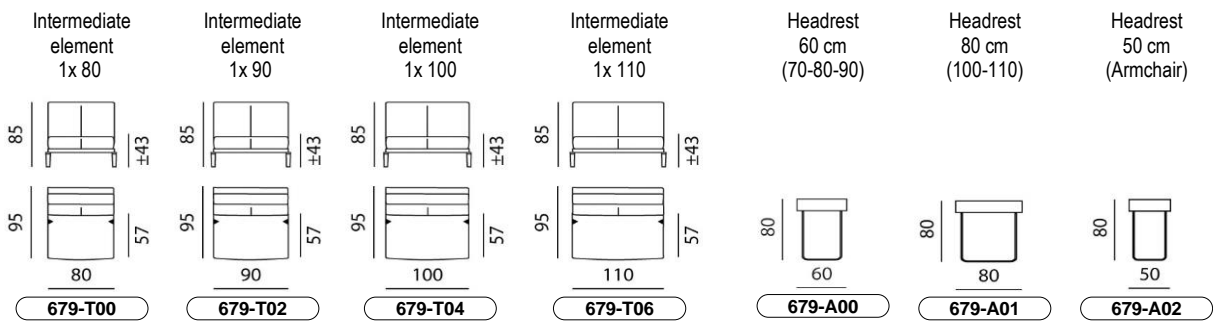
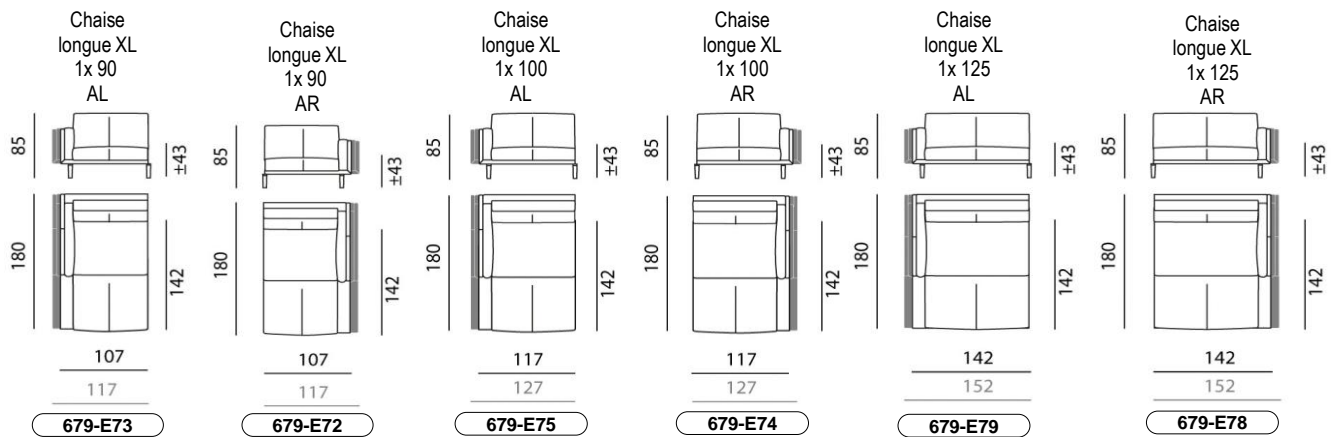
**The outer measurements of the elements depends on the width of the chosen arm.
 The gray dimension line is the measurement based on the wide arm.**



The outer measurements of the elements depends on the width of the chosen arm.
 The gray dimension line is the measurement based on the wide arm.



The outer measurements of the elements depends on the width of the chosen arm.
 The gray dimension line is the measurement based on the wide arm.



The outer measurements of the elements depends on the width of the chosen arm.
 The gray dimension line is the measurement based on the wide arm.