

**DIMENSIONS**

All width dimensions are rounded up. All dimensions are approximate.

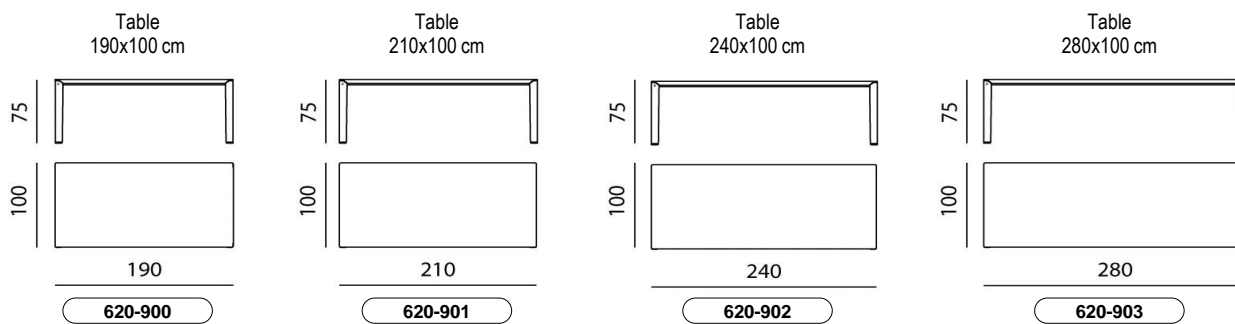
**TECHNICAL DATA**

Table-top	Semi-solid oak or walnut (top layer 2,5 mm) or Fenix with top edge oak.
- Oak	Oil natural.
	Option: All selected oak oil and stain colours.
- Walnut	Oil natural.
	Option: All selected walnut oil and stain colours.
- Fenix	All selected Fenix colours.
- Side edge oak (Fenix)	Oil natural.
	Option: All selected oak oil and stain colours.
Frame	Powder coated in all selected Silk Epoxy colours.
Gliders	Black or grey synthetic.
Connection panels	In every table with a wooden table top within the LX collection a media technology can be applied. LX offers the possibility to build the media technology to spec on request, please contact our advisors for more information.
Design	A Design Studio, 2012.